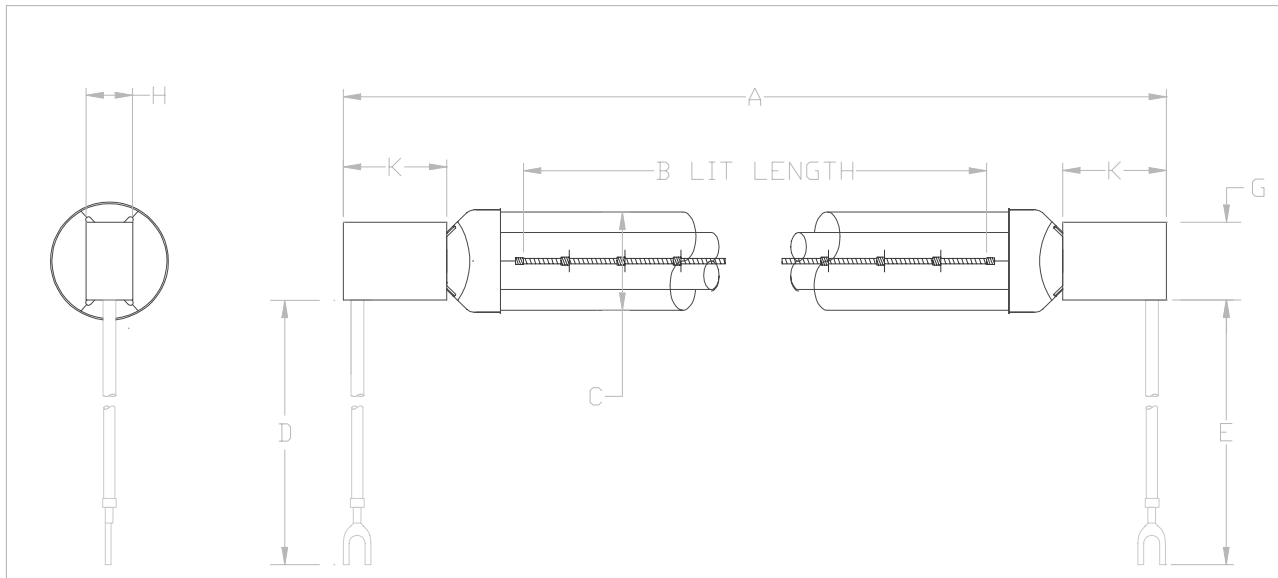


Infrared Quartz Heat Lamps

Turning Lighting to Heat



Halogen Industrial Quartz Heat Lamp
HH/599 Ruby Jacketed 230 - 240V 500W
TECHNICAL DATA SHEET



Performance Data

Rated Voltage	240 V
Rated Power	505 W
Colour Temperature	2450 K (capsule/burner)
Rated Median Life	5000 hours (5.5h on, 0.5h off)

Dimensional Data

Overall Length "A" (MOL)	218 mm
Lit Length "B"	130 mm nom.
Bulb Diameter "C" Max	21 mm
Cap/ Base Length "K"	20.0+/-0.5 mm
Cap/ Base width "H"	9.2+/-0.5 mm
Cap/ Base Depth "G"	15.0+/-0.5 mm
Lead Length "D"	230+/-5 mm
Lead Length "E"	230+/-5 mm

General Data

Order code	Ruby Jacketed HH/599
Product Code	20090
Monogram	On ceramic cap
Capsule/ Burner	Quartz (fused silica)
Jacket (outer sleeve)	Ruby quartz - doped
Jacket Finish	Red filtered
Base Type	Special - ceramic
Filament type	C-8 (single coil)
Lead-wires	Flexible double insulated, UL1815 approved white PTFE leads with silicone coated glass fibre sleeve.
Terminals	M4 horseshoe terminal
Lamp Mass	65 grammes
Standards / Conformity	CE Marked

Operation

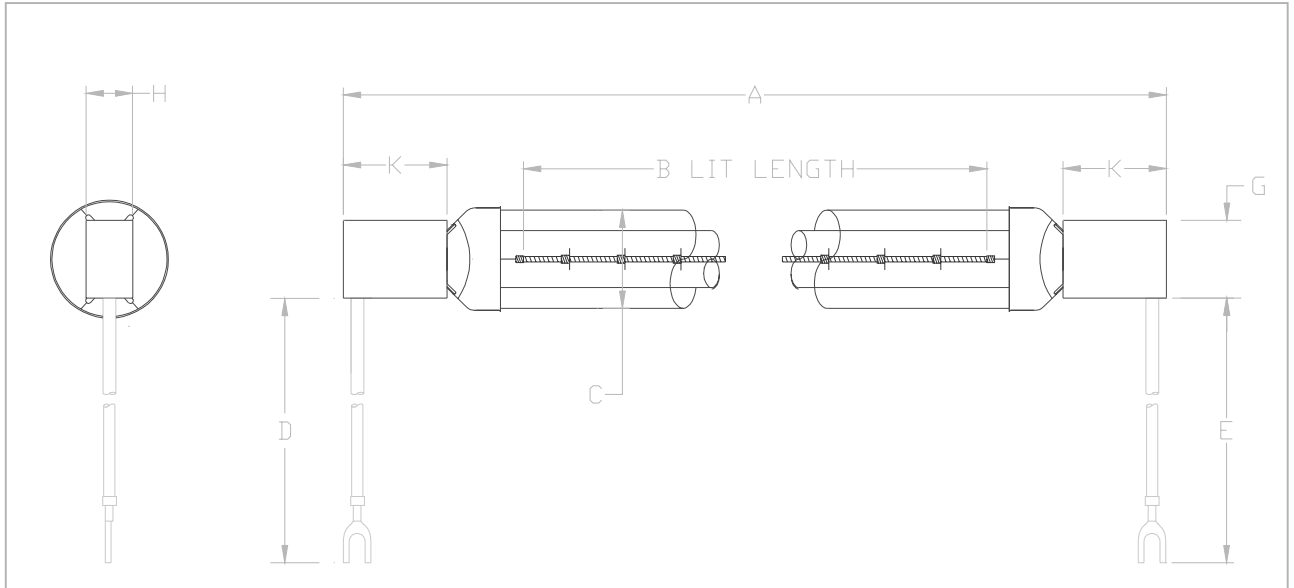
Burning Position	Horizontal +/- 5°
Pinch Seal Temp. Max.	350 °C
Bulb Wall Temp	250 - 900 °C
Service	IR space heating - zonal heating

GE Lighting is constantly developing and improving its products. For this reason, all product descriptions in this brochure are intended as a general guide, and we may change specifications time to time in the interest of product development, without prior notification or public announcement. All descriptions in this publication present only general particulars of the goods to which they refer and shall not form part of any contract. Data in this guide has been obtained in controlled experimental conditions. However, GE Lighting cannot accept any liability arising from the reliance on such data to the extent permitted by law.
HH599 Ruby 240 500W - Data sheet - July 2004

Halogen Industrial Quartz Heat Lamp

HH/210 Clear Jacketed 230 - 240V 500W

TECHNICAL DATA SHEET



Performance Data

Rated Voltage	240 V
Rated Power	505 W
Colour Temperature	2450 K
Rated Median Life	5000 hours (5.5h on, 0.5h off)

Dimensional Data

Overall Length "A" (MOL)	218 mm
Lit Length "B"	130 mm nom.
Bulb Diameter "C" Max	21 mm
Cap/ Base Length "K"	20.0+/-0.5 mm
Cap/ Base width "H"	9.2+/-0.5 mm
Cap/ Base Depth "G"	15.0+/-0.5 mm
Lead Length "D"	230+/-5 mm
Lead Length "E"	230+/-5 mm

General Data

Order code	Ruby Jacketed HH/210
Product Code	20089
Monogram	On ceramic cap
Capsule/ Burner	Quartz (fused silica)
Jacket (outer sleeve)	Clear quartz
Jacket Finish	Clear
Base Type	Special – ceramic
Filament type	C-8 (single coil)
Lead-wires	Flexible double insulated, UL1815 approved white PTFE leads with silicone coated glass fibre sleeve.
Terminals	M4 horseshoe terminal
Lamp Mass	65 grammes
Standards / Comformity	CE Marked

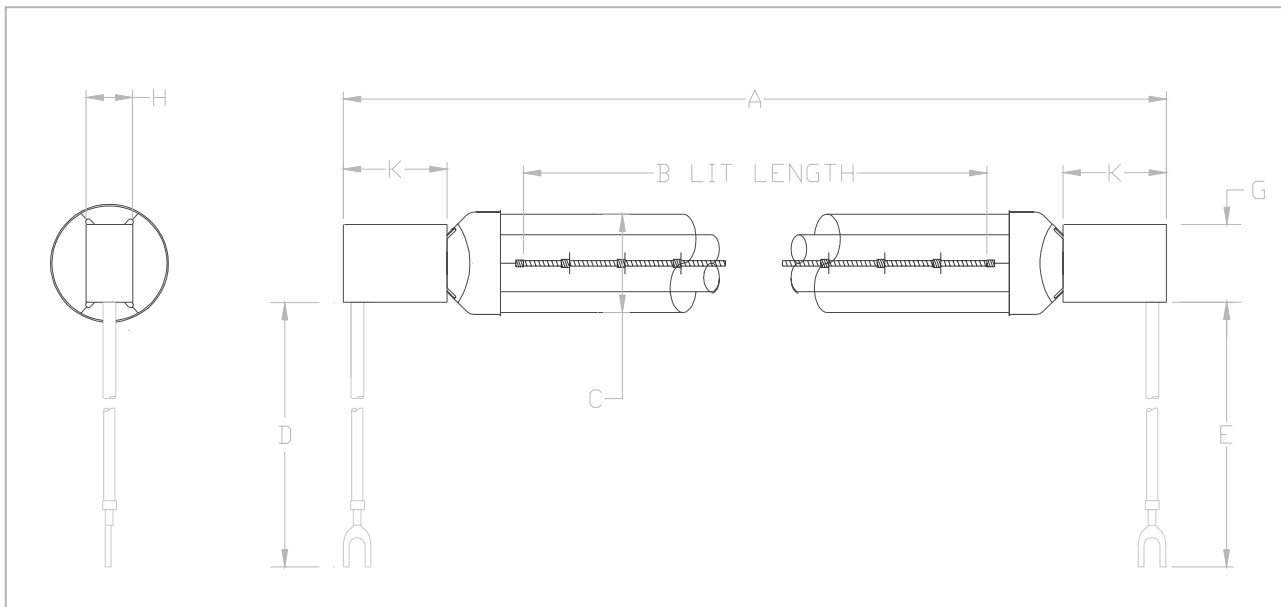
Operation

Burning Position	Horizontal +/- 5°
Pinch Seal Temp. Max.	350 °C
Bulb Wall Temp	250 – 900 °C
Service	IR catering / food warming

GE Lighting is constantly developing and improving its products. For this reason, all product descriptions in this brochure are intended as a general guide, and we may change specifications time to time in the interest of product development, without prior notification or public announcement. All descriptions in this publication present only general particulars of the goods to which they refer and shall not form part of any contract. Data in this guide has been obtained in controlled experimental conditions. However, GE Lighting cannot accept any liability arising from the reliance on such data to the extent permitted by law.

HH210 Clear 240 500W - Data sheet - July 2004

Halogen Industrial Quartz Heat Lamp HH/450 Ruby Jacketed 230 - 240V 1000W TECHNICAL DATA SHEET



Performance Data

Rated Voltage	240 V
Rated Power	1010 W
Colour Temperature burner)	2450 K (capsule/ burner)
Rated Median Life	5000 hours (5.5h on, 0.5h off)

Dimensional Data

Overall Length "A" (MOL)	348 mm
Lit Length "B"	260 mm nom.
Bulb Diameter "C" Max	21 mm
Cap/ Base Length "K"	20.0+/-0.5 mm
Cap/ Base width "H"	9.2+/-0.5 mm
Cap/ Base Depth "G"	15.0+/-0.5 mm
Lead Length "D"	230+/-5 mm
Lead Length "E"	230+/-5 mm

General Data

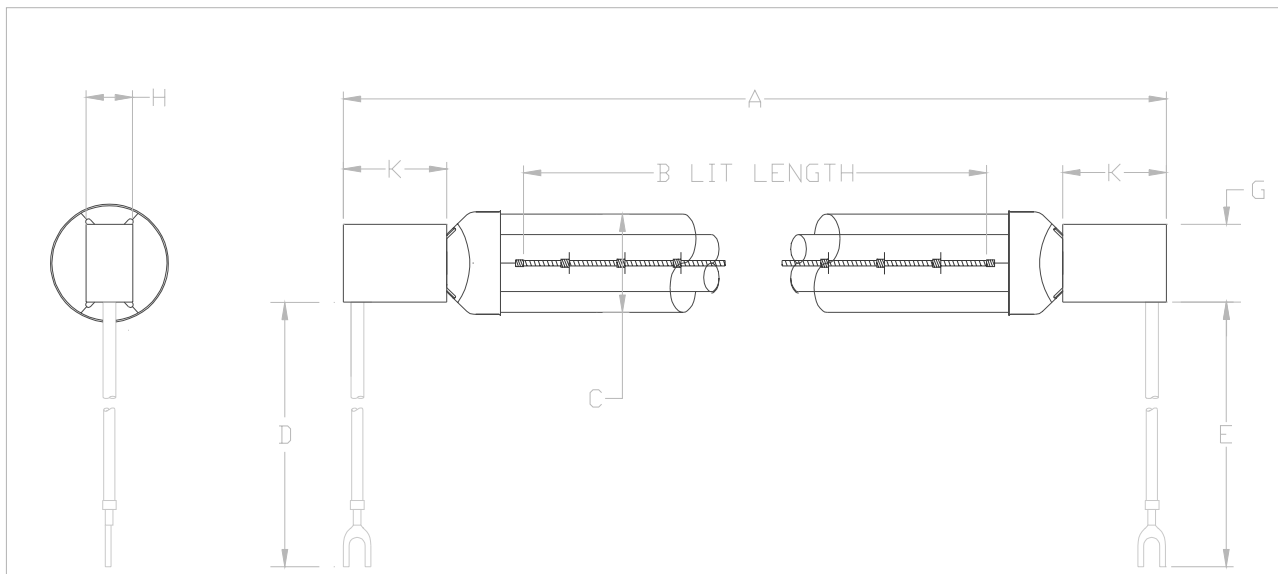
Order code	Ruby Jacketed HH/450
Product Code	20091
Monogram	On ceramic cap
Capsule/ Burner	Quartz (fused silica)
Jacket (outer sleeve)	Clear quartz - doped
Jacket Finish	Red filtered
Base Type	Special - ceramic
Filament type	C-8 (single coil)
Lead-wires	Flexible double insulated, UL1815 approved white PTFE leads with silicone coated glass fibre sleeve.
Terminals	M4 horseshoe terminal
Lamp Mass	100 grammes
Standards / Conformity	CE Marked

Operation

Burning Position	Horizontal +/- 5°
Pinch Seal Temp. Max.	350 °C
Bulb Wall Temp	250 - 900 °C
Service	IR space heating - zonal heating

GE Lighting is constantly developing and improving its products. For this reason, all product descriptions in this brochure are intended as a general guide, and we may change specifications time to time in the interest of product development, without prior notification or public announcement. All descriptions in this publication present only general particulars of the goods to which they refer and shall not form part of any contract. Data in this guide has been obtained in controlled experimental conditions. However, GE Lighting cannot accept any liability arising from the reliance on such data to the extent permitted by law.
HH450 Ruby 240 1.0KW - Data sheet - July 2004

Halogen Industrial Quartz Heat Lamp HH/451 Ruby Jacketed 230 - 240V 1500W TECHNICAL DATA SHEET



Performance Data

Rated Voltage	240 V
Rated Power	1510 W
Colour Temperature	2450 K (capsule/burner)
Rated Median Life	5000 hours (5.5h on, 0.5h off)

Dimensional Data

Overall Length "A" (MOL)	348 mm
Lit Length "B"	260 mm nom.
Bulb Diameter "C" Max	21 mm
Cap/ Base Length "K"	20.0+/-0.5 mm
Cap/ Base width "H"	9.2+/-0.5 mm
Cap/ Base Depth "G"	15.0+/-0.5 mm
Lead Length "D"	230+/-5 mm
Lead Length "E"	230+/-5 mm

General Data

Order code	Ruby Jacketed HH/451
Product Code	20092
Monogram	On ceramic cap
Capsule/ Burner	Quartz (fused silica)
Jacket (outer sleeve)	Ruby quartz - doped
Jacket Finish	Red filtered
Base Type	Special - ceramic
Filament type	C-8 (single coil)
Lead-wires	Flexible double insulated, UL1815 approved white PTFE leads with silicone coated glass fibre sleeve.
Terminals	M4 horseshoe terminal
Lamp Mass	100 grammes
Standards / Conformity	CE Marked

Operation

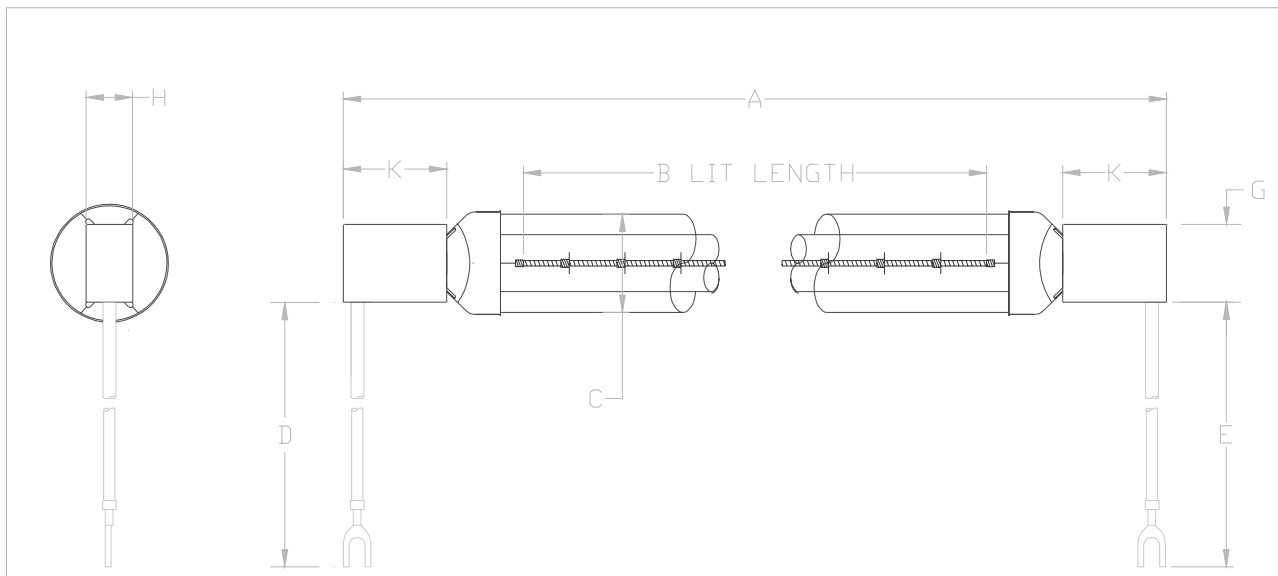
Burning Position	Horizontal +/- 5°
Pinch Seal Temp. Max.	350 °C
Bulb Wall Temp	250 - 900 °C
Service	IR space heating - zonal heating

GE Lighting is constantly developing and improving its products. For this reason, all product descriptions in this brochure are intended as a general guide, and we may change specifications time to time in the interest of product development, without prior notification or public announcement. All descriptions in this publication present only general particulars of the goods to which they refer and shall not form part of any contract. Data in this guide has been obtained in controlled experimental conditions. However, GE Lighting cannot accept any liability arising from the reliance on such data to the extent permitted by law.
HH451 Ruby 240 1.5KW - Data sheet - July 2004

Halogen Industrial Quartz Heat Lamp

HH/804 Ruby Jacketed 230 - 240V 2000W

TECHNICAL DATA SHEET



Performance Data

Rated Voltage	240 V
Rated Power	2015 W
Colour Temperature	2450 K (capsule/burner)
Rated Median Life	5000 hours (5.5h on, 0.5h off)

Dimensional Data

Overall Length "A" (MOL)	348 mm
Lit Length "B"	260 mm nom.
Bulb Diameter "C" Max	21 mm
Cap/ Base Length "K"	20.0+/-0.5 mm
Cap/ Base width "H"	9.2+/-0.5 mm
Cap/ Base Depth "G"	15.0+/-0.5 mm
Lead Length "D"	230+/-5 mm
Lead Length "E"	230+/-5 mm

General Data

Order code	Ruby Jacketed HH/804
Product Code	20093
Monogram	On ceramic cap
Capsule/ Burner	Quartz (fused silica)
Jacket (outer sleeve)	Ruby quartz - doped
Jacket Finish	Red filtered
Base Type	Special - ceramic
Filament type	C-8 (single coil)
Lead-wires	Flexible double insulated, UL1815 approved white PTFE leads with silicone coated glass fibre sleeve.
Terminals	M4 horseshoe terminal
Lamp Mass	100 grammes
Standards / Conformity	CE Marked

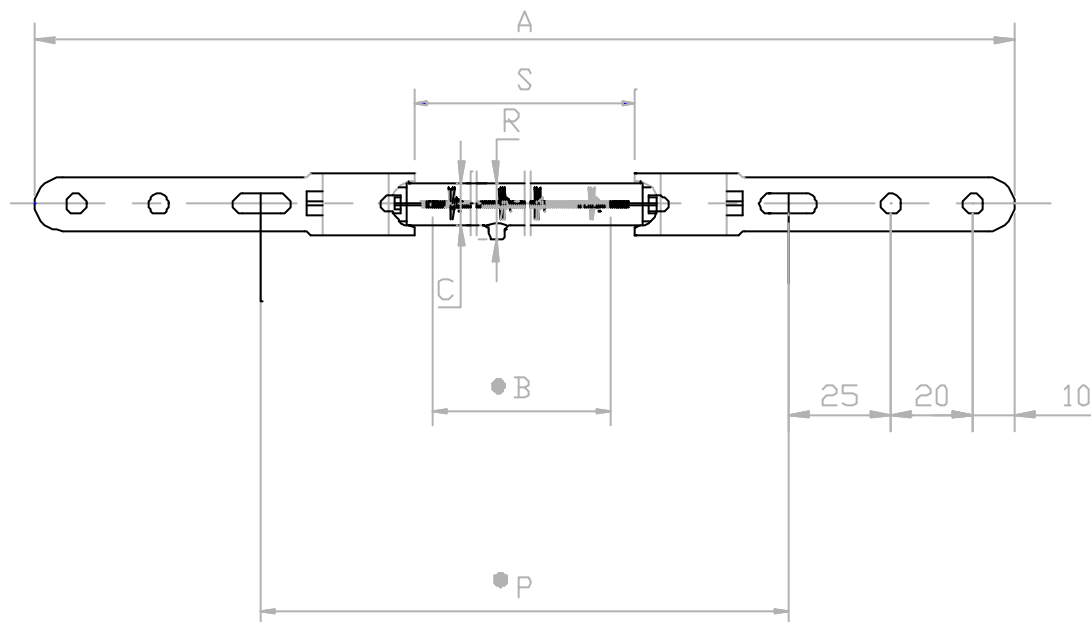
Operation

Burning Position	Horizontal +/- 5°
Pinch Seal Temp. Max.	350 °C
Bulb Wall Temp	250 - 900 °C
Service	IR space heating - zonal heating

GE Lighting is constantly developing and improving its products. For this reason, all product descriptions in this brochure are intended as a general guide, and we may change specifications time to time in the interest of product development, without prior notification or public announcement. All descriptions in this publication present only general particulars of the goods to which they refer and shall not form part of any contract. Data in this guide has been obtained in controlled experimental conditions. However, GE Lighting cannot accept any liability arising from the reliance on such data to the extent permitted by law.

HH804 Ruby 240 2.0KW - Data sheet - July 2004

Halogen Industrial Quartz Heat Lamp QH1MT3/CL/MS 235V 1000W TECHNICAL MARKETING DATA SHEET



Performance Data

Rated Voltage	235 V
Rated Power	1000 W
Colour Temperature	2450 K
Rated Median Life	5000 hours (5.5h on, 0.5h off)

Dimensional Data

Overall Length "A" (MOL)	493 mm Max
Lit Length "B"	272 mm nom.
Between hole centres "P"	370+/-10 mm
Between the ends of the straps "S"	295 mm Min
Bulb Diameter "C"	11 mm Max
Tip-off & tube "R"	13 mm Max

Brand cross reference

Product Code	21376
Order Code	QH1MT3/CL/MS-235V
Philips Equivalent	13195X

This table shows GE and alternative brand order codes. This cross reference is provided as a quick reference and may only represent a near equivalent to other brands. The table contains data from alternative brands' catalogue.

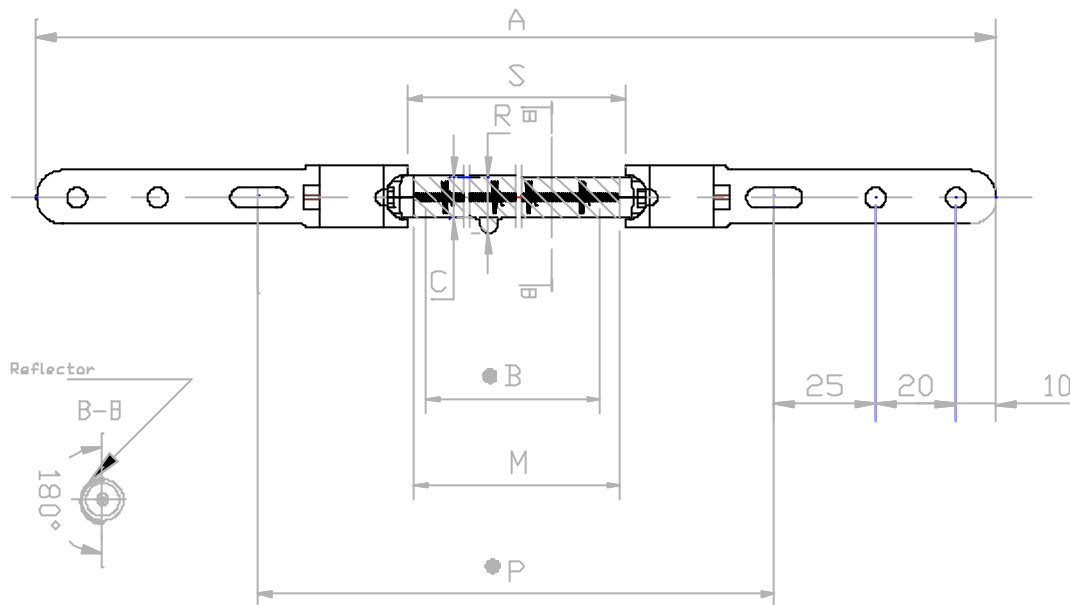
General Data

Order code	QH1MT3/CL/MS – 235V
Product Code	21376
Monogram	On envelope wall
Capsule/ Burner	Quartz (fused silica)
Capsule Finish	Clear
Base Type	Metal Strap
Filament Type	C-8 (single coil)
Lead-wires	None
Terminals	Metal Strap (integrated with base)
Lamp Mass	45 grammes
Standards / Conformity	CE Marked

Operation

Burning Position	Horizontal +/- 5°
Pinch Seal Temp. Max.	350 °C
Bulb Wall Temp	250 – 900 °C
Service	Infrared processing

Halogen Industrial Quartz Heat Lamp
QH1MT3/R/MS 235V 1000W
TECHNICAL MARKETING DATA SHEET



Performance Data

Rated Voltage	235 V
Rated Power	1000 W
Colour Temperature	2450 K
Rated Median Life	5000 hours (5.5h on, 0.5h off)

Dimensional Data

Overall Length "A" (MOL)	493 mm Max
Lit Length "B"	272 mm nom.
Between hole centres "P"	370+/-10 mm
Between the ends of the straps "S"	295 mm Min
Reflector length "M"	285 mm nom.
Bulb Diameter "C"	11 mm Max
Tip-off & tube "R"	13 mm Max

Brand cross reference

Product Code	21377
Order Code	QH1MT3/R/MS - 235V
Philips Equivalent	13195X-98

This table shows GE and alternative brand order codes. This cross reference is provided as a quick reference and may only represent a near equivalent to other brands. The table contains data from alternative brands' catalogue.

General Data

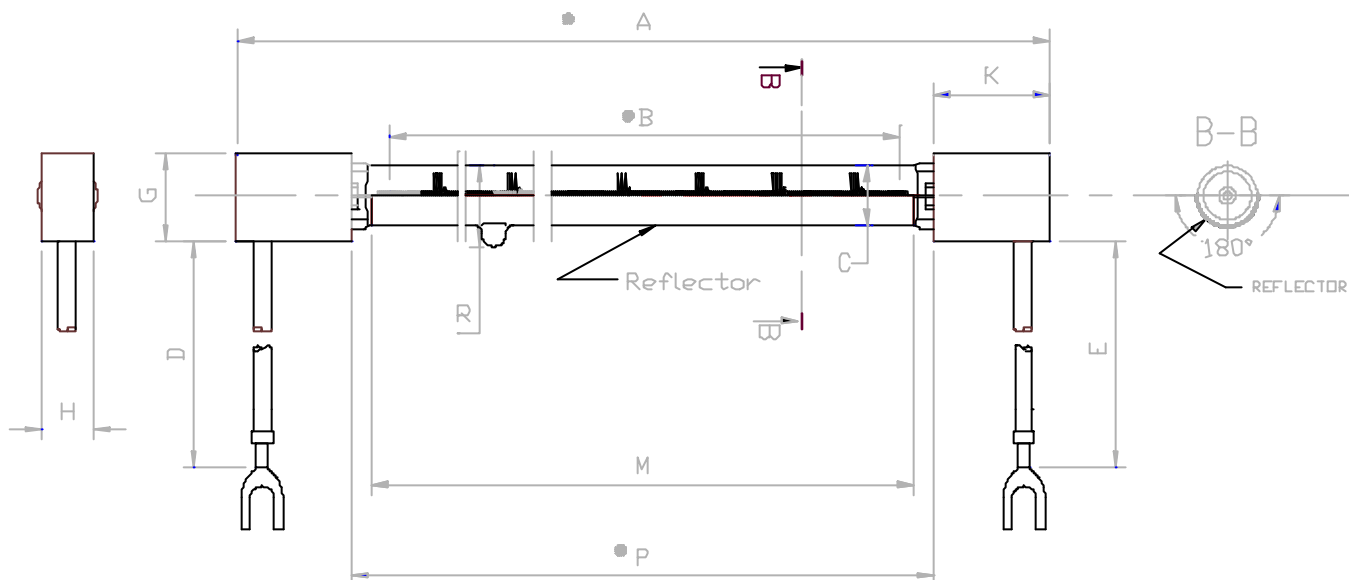
Order code	QH1MT3/R/MS - 235V
Product Code	21377
Monogram	On envelope wall
Capsule/ Burner	Quartz (fused silica)
Capsule Finish	Clear with white reflector
Base Type	Metal Strap
Filament Type	C-8 (single coil)
Lead-wires	None
Terminals	Metal Strap (integrated with base)
Lamp Mass	45 grammes
Standards / Conformity	CE Marked

Operation

Burning Position	Horizontal +/- 5°
Pinch Seal Temp. Max.	350 °C
Bulb Wall Temp	250 - 900 °C
Service	Infrared processing

GE Consumer & Industrial Specialty Lighting

Halogen Industrial Quartz Heat Lamp QH1MT3/R 235V 1000W TECHNICAL MARKETING DATA SHEET



Performance Data

Rated Voltage	235 V
Rated Power	1000 W
Colour Temperature	2450 K
Rated Median Life	5000 hours (5.5h on, 0.5h off)

Dimensional Data

Overall Length "A" (MOL)	357.5 mm
Lit Length "B"	272 mm nom.
Bulb Diameter "C"	11 mm Max
Cap/ Base Length "K"	20.0+/-0.5 mm
Cap/ Base width "H"	9.0+/-0.5 mm
Cap/ Base Depth "G"	15.0+/-0.5 mm
Lead Length "D"	200+/-5 mm
Lead Length "E"	200+/-5 mm
Reflector length "M"	285 mm nom.
Cap-to-cap "P"	310+/-3 mm
Tip-off & tube "R"	13 mm Max

Brand cross reference

Product Code	21378
Order Code	QH1MT3/R – 235V
Philips Equivalent	13195Z-98

This table shows GE and alternative brand order codes. This cross reference is provided as a quick reference and may only represent a near equivalent to other brands. The table contains data from alternative brands' catalogue.

General Data

Order code	QH1MT3/R – 235V
Product Code	21378
Monogram	On ceramic cap
Capsule/ Burner	Quartz (fused silica)
Capsule Finish	Clear with white reflector
Base Type	Special – ceramic
Filament Type	C-8 (single coil)
Lead-wires	Multi-stranded, flexible PTFE insulated UL1815 approved white lead
Terminals	M4 horseshoe terminal
Lamp Mass	42 grammes
Standards / Conformity	CE Marked

Operation

Burning Position	Horizontal +/- 5°
Pinch Seal Temp. Max.	350 °C
Bulb Wall Temp	250 – 900 °C
Service	Infrared processing