

BLUELIGHT UV CURING SYSTEMS

THE NEW UV TECHNOLOGY FOR FAST AND PRECISE PRINTING

DRYING WITHOUT HEATING

The Excimer UV Lamp

The BlueLight UV Curing System is based on the revolutionary technique of the Excimer lamps which exhibit considerable advantages when compared with the Mercury lamp:

- Intense UV radiation in a narrow spectral range
- Operates close to room temperature
- No IR radiation and no unnecessary local heating
- On/off switching at will

The BlueLight UV Cassette

The specially developed BlueLight UV Cassettes from Heraeus set the standard for the effective use of UV for curing:

Cold UV Radiation/Cold drying

without forced air or water cooling on the press

- print and press stay cold, paper does not dry out, films do not shrink
- ensures high print accuracy and simple inline processing
- ensures high safety without the need for shutters

Instantly switchable

with no warm-up and cool-down time

- safe blanket washing with no delay
- more production time

UV Curing under Inert Gas

faster, more reproducible drying, without the effect of oxygen in the atmosphere

- without ozone and odourless

Choice of Wavelengths available

- The lamps (222 nm, 308 nm) can be used separately or combined
- they are easy to replace

Compact, sealed Cassette

- easy to retro-fit
- for interstation and end drying

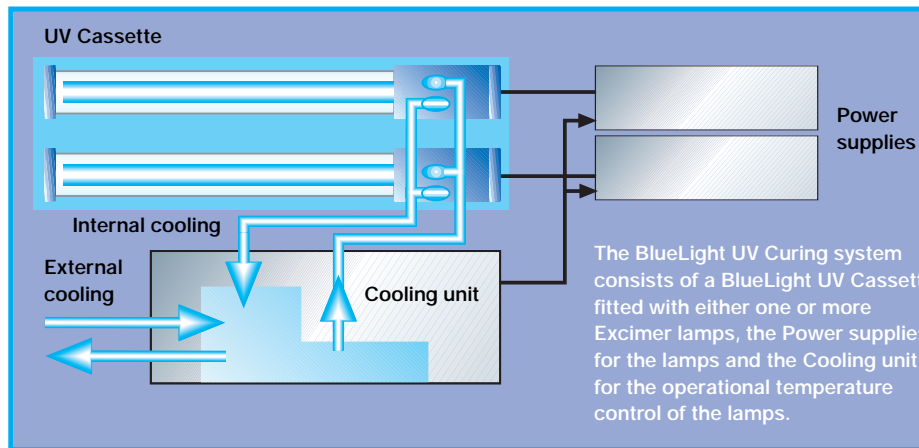
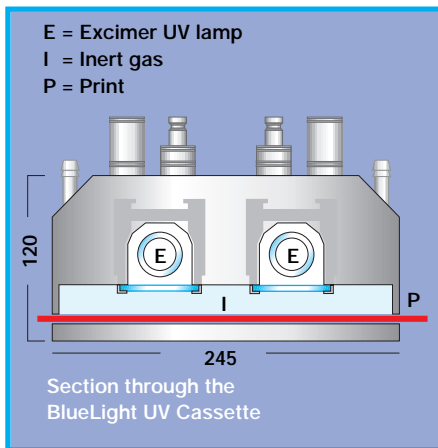
Saves Cost and Space

- Small footprint power supply

Further Applications

- Adhesive tapes and films
- Siliconised papers and films

Heraeus Noblelight GmbH



UV Cassette	Unit	BlueLight 300	BlueLight 600
Arc length	mm	330	635
Max. paper width	mm	300	600
Overall length	mm	470	776
Power – equipped with 1 lamp	kW	1.5	3.0
Excimer UV Lamp Type		308 / 330 Z	308 / 635 Z
Maximum output	nm	308	308
Alternative Excimer UV Lamp Type		222 / 330 Z	222 / 635 Z
Maximum output	nm	222	222
Type: Silent discharge lamp with high frequency excitation	kHz/kV _{eff}	230 / < 4	300 / < 4
Specific Power	W/in	125	125
UV Output switching time – no cool down required	sec	< 1	< 1
Variable power range	%	0: 5 – 100	0: 5 – 100
Useful life (30 % output reduction)	h	> 1500	> 1500
Nitrogen consumption for Inertgas operation (typical value for 250 m/min)	m ³ /h	< 5	< 5
Required cooling system		cooling unit 45 10 99 34	
Required Coolant temperature	°C	< 30	< 30
Housing temperature	°C	< 40	< 40
Protection type		IP 30	IP 30
Power Supply Ident.No.		45 13 02 16	45 13 02 17
Power requirement	kW	1.7	3.2
Supply		400V / 3Ph / N / PE	400V / 3Ph / N / PE
Output: High frequency / Voltage	kHz/kV _{eff}	230 / < 4	300 / < 4
Cable connection to UV Cassette		2m hard wired	
Cooling: Air / water		yes / no	yes / 60 l/h
Dimensions L x W x H	mm	555 x 483 x 265	600 x 553 x 460
Weight	kg	25	50
Protection type		IP 20	IP 20
Electro magnetic compatibility EMC		EN 55011/A	EN 55011/A
Cooling Unit Ident.No.		45 10 99 34	45 10 99 34
Coolant (internal circulation)		de-ionised water – conductivity < 2µS / cm	
Cooling power	kW	max 10	max 10
Cooling water flow (external)	m ³ /h	0.2	0.4
Cooling water temperature	°C	20	20
Power requirement	W	200	200
Supply	V/Hz	230 / 50	230 / 50
Protection type		IP 30	IP 30
Complete UV Curing System Ident.No.		45 13 074	45 13 075

There may be deviations from the illustrations and technical data reported in this brochure.

Printed in Germ

Heraeus

Heraeus Amersil Inc.
Noblelight Division
3473 Satellite Blvd.
Duluth, GA 30136-5821
USA
Phone (770) 623 6000
Telefax (770) 418 0688
E-Mail:
noblelight@heraeus-amersil.com

Heraeus Noblelight Ltd.
Cambridge Science Park
Milton Road
Cambridge CB4 0GQ
U.K.
Phone +44 (1223) 423324
Telefax +44 (1223) 423999
E-Mail:
hnl-cambridge@europe.heraeus.com

Heraeus Noblelight GmbH
Reinhard-Heraeus-Ring 7
D-63801 Kleinostheim
Germany
Phone +49 (6027) 507 482
Telefax +49 (6027) 507 410
E-Mail:
hng-uv curing@europe.heraeus.com

HNG - B 171
E 3C 11/98/A

Internet:
www.heraeus.com/noblelight



Reg. No. 392