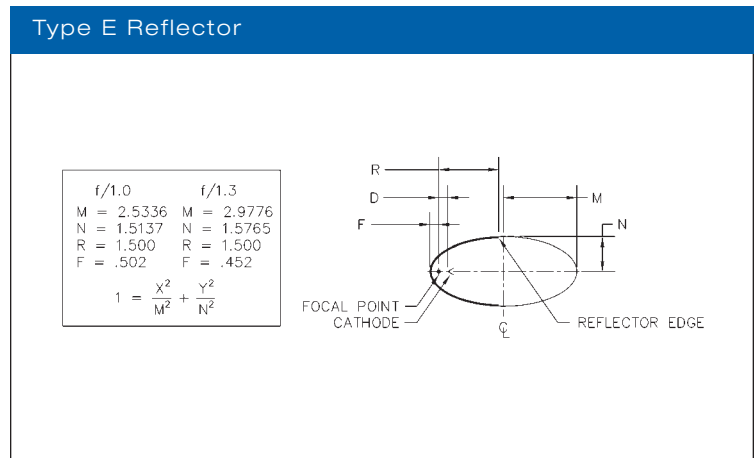
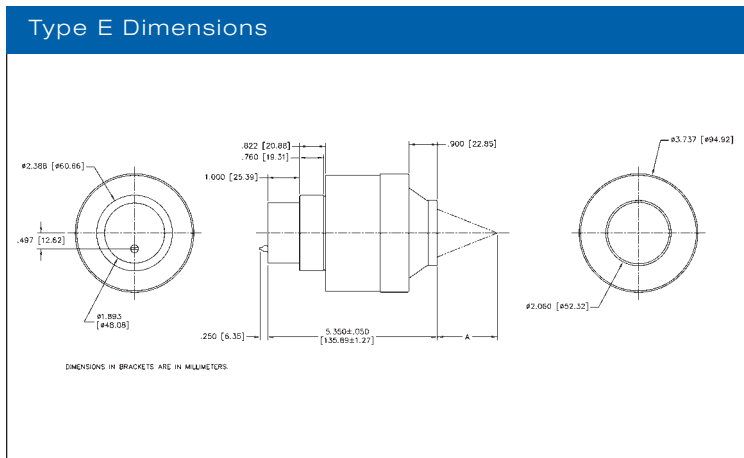
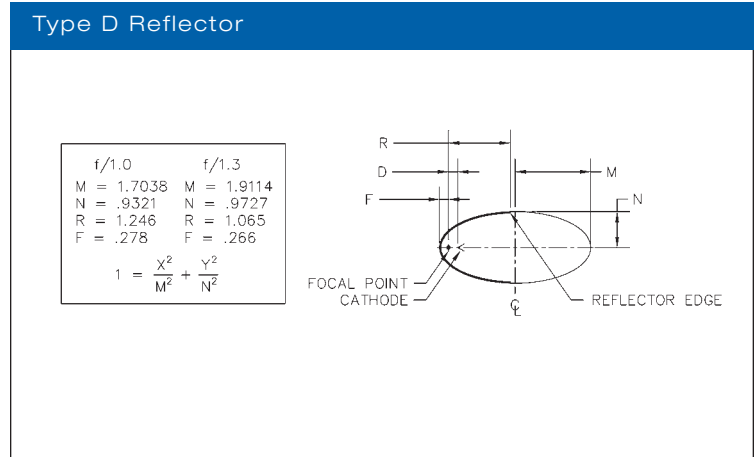
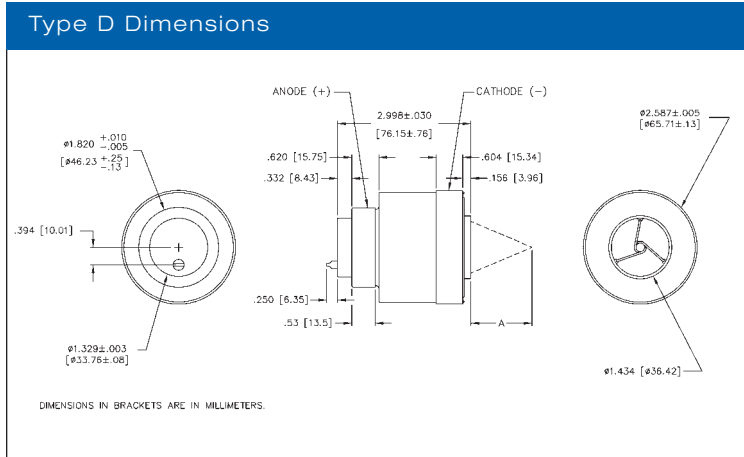


		XE1850D-10FH	XE1850D-13FH	XE2400E-10FH	XE2400E-13FH
<b>Power (Watts)</b>	Nominal	1850	1850	2400	2400
	Range	1400 - 1850	1400 - 1850	1800 - 2700	1800 - 2700
<b>Current (Amps DC)</b>	Nominal	65.0	65.0	104.0	104.0
	Range	60.0 - 95.0	60.0 - 95.0	75.0 - 110.0	75.0 - 110.0
<b>Voltage (Volts DC)</b>	Nominal	20.0	20.0	23.0	23.0
	Range	19.0 - 26.0	19.0 - 26.0	19.0 - 26.0	19.0 - 26.0
Maximum Top Ceramic Operating Temperature (°C) <sup>1</sup>		160	160	160	160
Minimum Ignition Voltage at lamp (kV) <sup>2</sup>		28	28	35	35
Minimum Ignition Pulse Duration (nS)		100	100	100	100
Radiant Output (Watts) <sup>3</sup>		365	365	635	635
UV Output, <390nm (Watts) <sup>3</sup>		19.5	19.5	31.0	31.0
IR Output, >770nm (Watts) <sup>3</sup>		200	200	350	350
Visible Output, 390-770nm (Lumens) <sup>3</sup>		40000	40000	73000	73000
Color Temperature (Kelvin) <sup>4</sup>		5900	5900	5900	5900
<b>Spot Size at Crossover</b> (inches / mm)	@ 50% points <sup>4</sup>	.15 / 3.8	.16 / 4.1	.19 / 4.8	.19 / 4.8
	@ 10% points <sup>4</sup>	.40 / 10.2	.53 / 13.5	.65 / 16.5	.65 / 16.5
f-Number		1.0	1.3	1.0	1.3
Focal Distance "A" (inches / mm)		.946 / 24.03	1.389 / 35.28	.825 / 20.95	1.885 / 47.88
Cathode Defocus "D" (inches / mm)		.008 / .20	.008 / .20	.012 / .30	.012 / .30
Arc Gap (inches / mm)		.053 / 1.35	.053 / 1.35	.075 / 1.91	.075 / 1.91
Window Diameter (inches / mm)		1.375 / 34.93	1.375 / 34.93	2.00 / 50.8	2.00 / 50.8
Focused Output – XGA/SXGA			Available upon request		

<sup>1</sup> Optimum operating temperature 120-130 (°C). <sup>2</sup> With a PKI approved power supply. <sup>3</sup> Total nominal output from lamp in all directions. <sup>4</sup> Nominal value. All specifications subject to change without notice.



**NOTES:** **A.** Lamp must not be operated with window facing upwards within 45° of vertical. **B.** Seal temperature must not exceed 150°C. **C.** Current/power regulated power supplies and PerkinElmer lamp housing units are recommended. **D.** Lamp must be operated within recommended current and power range. Over powering may lead to arc instability, hard starting and premature aging. **E.** Hot mirror assembly is available for IR filtering for 300W lamps and below. **F.** Cermax® lamps are much safer lamps to use than their quartz xenon arc lamp equivalents. However, caution must be practiced when operating lamps because they are under high pressure, require high voltage, reach temperatures up to 200°C, and their IR and UV radiation can cause skin burns and eye damage. Read hazard sheet included with each lamp shipment.