

The optimal heat source for various industrial applications

Philips infrared heat lamps are the ideal, high-power heat source for a wide range of industrial heating applications such as paint and paper drying, curing, sterilization and many more. These are halogen lamps, which means that tube blackening and resulting reduction in infrared output are negligible, ensuring very high process stability throughout the lamp lifetime. Full power is reached within a few hundred milliseconds of switch-on. Lamp power is fully controllable, with instant adjustment of the required heat level between 0 and 100%. Philips infrared lamps are compact heat sources.

Efficient, economical heating for a wide range of industrial applications	
Features	Benefits
90% of the energy is transmitted as infrared heat	Efficient and economical heat source
Dimmable	Output accurately controllable from 0 to 100% to match your needs
Infrared halogen technology	A clean, safe, compact and focusable heat source for a wide range of industrial applications



Applications

- Paint drying in tunnels and body shops
- Paper drying in paper mills
- Powder coating
- Drying of lacquers and printing inks
- Heat sterilization



Picture by PSA



© 2007 Koninklijke Philips Electronics N.V.
All rights reserved.

Data subject to change
3222 635 95881
04/07

Designed for various industrial applications

Philips infrared heat lamps

PHILIPS

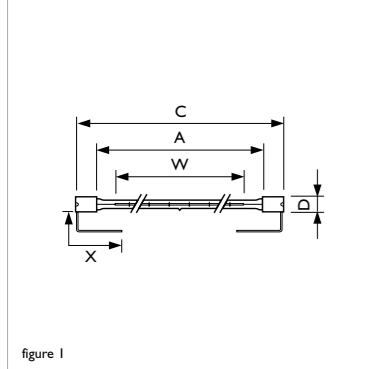


figure 1

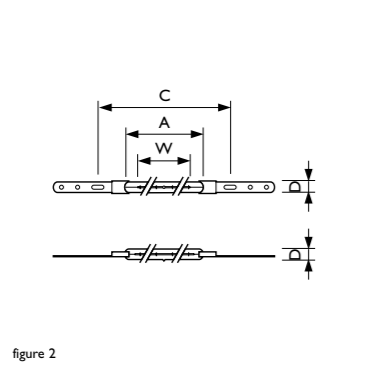


figure 2

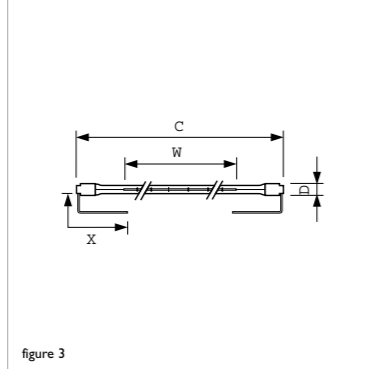


figure 3

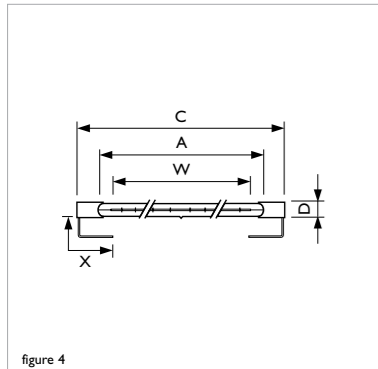


figure 4

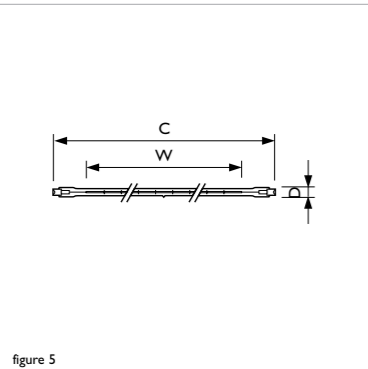


figure 5

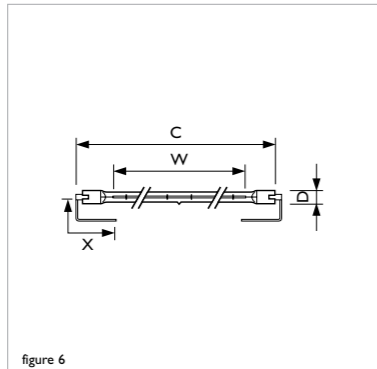


figure 6

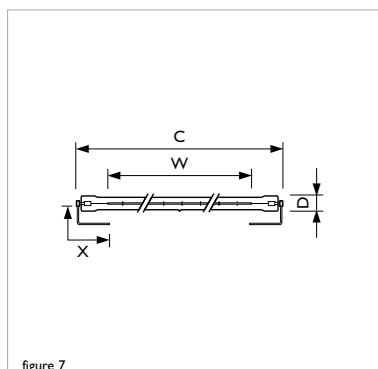


figure 7

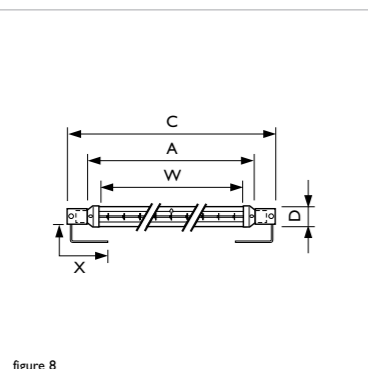


figure 8

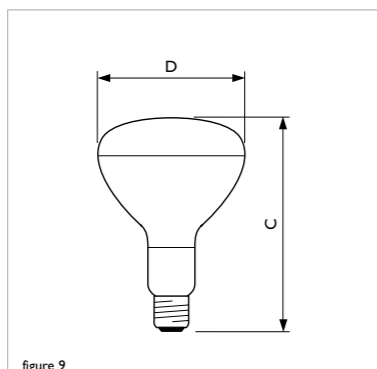


figure 9

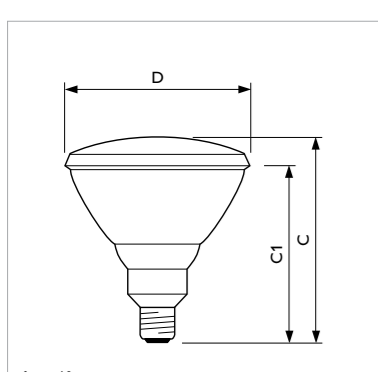


figure 10



Lamps specifications Philips infrared halogen lamps for various industrial applications

Type	Lamp Wattage (W)	Voltage (V)	Fig.	Cap/ Base	Total lamp length (mm) C	Heating length (mm) W	Diameter (mm) D	Finish	Burning position	Average lamp life (h)	Colour temp. (K)	Cable (mm) X	Cable connection	I2nc	EOC	US Product Number
13908R	300	230	5	R7S	117.5	60.0	11.0	Clear	Horizontal	1.000	2500	-	-	9238.50343301	871150049155825	-
13908Z	300	230	1	SK15	122.0	60.0	11.0	Clear	Horizontal	1.000	2500	140	Splice	9245.27144216	871150049609625	-
13169X	500	120	2	X	242.0	142.0	11.0	Clear	Horizontal	5.000	2500	-	-	9238.50032316	871150021679325	312033
13169X/98	500	120	2	X	242.0	142.0	11.0	Reflector	Horizontal	5.000	2500	-	-	9238.50232316	871150021740025	312058
500T3	500	120	5	U	224.0	127	11.0	Translucent	Horizontal	5.000	2500	146	Splice	9245.17636316	871150051763025	216515
13169Z/98	500	235	1	SK15	227.0	159	11.0	Reflector	Horizontal	5.000	2400	200	Fork	9238.52744516	871150021741725	-
13169R	500	235	5	R7S	220.6	165	11.0	Clear	Horizontal	5.000	2400	-	-	9239.46844516	871150005535425	-
13790R	650	220	5	R7S	550.4	501	9.0	Clear	Horizontal	5.000	2200	-	-	9239.47342916	871150049821225	-
13842Z	700	240	1	SK15	216.0	150	11.0	Clear	Horizontal	5.000	2600	140	Splice	9245.27045516	871150049608925	-
13195X	1.000	235	2	X	370.0	280	11.0	Clear	Horizontal	5.000	2450	-	-	9238.51043916	871150021742425	312132
13713X	1.000	235	2	X	370.0	280	11.0	Clear	Universal	5.000	2450	-	-	9238.51543916	871150021472025	312603
13713Z/98	1.000	235	1	SK15	355.0	280	11.0	Reflector	Universal	5.000	2400	200	Fork	9238.53544516	871150021474425	312678
13195Z/98	1.000	235	1	SK15	355.0	280	11.0	Reflector	Horizontal	5.000	2400	200	Fork	9238.54344516	871150021455225	-
13713X/98	1.000	235	2	X	370.0	280	11.0	Reflector	Universal	5.000	2450	-	-	9238.96044516	871150021473725	-
13402Z	1.000	235	1	SK15	355.0	280	11.0	Clear	Universal	5.000	2500	200	Fork	9245.33544916	871150049811325	-
1000T3	1.000	240	3	U	351.0	254	11.0	Translucent	Horizontal	5.000	2500	146	Splice	9245.17843816	871150051765425	209957
1000T3/CL	1.000	240	3	U	303.0	254	11.0	Clear	Horizontal	5.000	2500	146	Splice	9245.17943816	871150051766125	210005
13561Y/98	1.200	144	4	Y	221.5	150	11.0	Reflector	Horizontal	5.000	2400	150	Fork	9245.03357716	871150005569928	270637
14134Z/98	1.200	235	1	SK15	224.0	155	11.0	Reflector	Horizontal	5.000	2700	150	Fork	9245.37144916	871150005842325	-
13935R	1.530	230	5	R7S	447.9	385	11.0	Clear	Horizontal	2.000	2400	-	-	9239.47244224	871150021476825	-
13568Y/98	1.600	144	4	Y	221.5	155	11.0	Reflector	Horizontal	5.000	2500	150	Fork	9245.03257716	871150005568228	270629
13568Z/98	1.600	144	1	SK15	22980	155	11.0	Reflector	Horizontal	5.000	2500	150	Fork	9245.48357716	871150051489925	-
1600T3	1.600	208	3	U	503.0	406	11.0	Translucent	Horizontal	5.000	2500	146	Splice	9245.18041416	871150051767825	216762
14135Z/98	1.600	235	1	SK15	228.0	155	11.0	Reflector	Horizontal	5.000	2600	150	Fork	9245.37244916	871150018450425	-
1600T3	1.600	240	3	U	503.0	406	11.0	Translucent	Horizontal	5.000	2500	146	Splice	9245.18245516	871150051769225	209965
1600T3/7	1.600	240	5	R7S	498.5	406	11.0	Translucent	Horizontal	5.000	2550	-	-	9245.19043816	871150051776025	210039
13938R	2.000	230	5	R7S	550.4	497	11.0	Clear	Horizontal	5.000	2500	-	-	9245.08544216	871150005588025	-
13214Z/98	2.000	230	1	SK15	657.0	500	11.0	Reflector	Horizontal	5.000	2500	500	Splice	9245.32344216	871150049823625	-
13168V	2.000	235	7	V	350.0	286	11.0	Clear	Universal	5.000	2500	138	Ring	9238.50444516	871150049632425	357038
13168X	2.000	235	2	X	370.0	288	11.0	Clear	Universal	5.000	2500	-	-	9238.52543916	871150021677925	311985
13168Z/98	2.000	235	1	SK15	355.0	280	11.0	Reflector	Universal	5.000	2500	200	Fork	9238.53644516	871150021678625	312009
13213Z/98F	2.000	235	1	SK15	355.0	280	11.0	Reflector	Horizontal	5.000	2500	200	Fork	9245.00344516	871150021747925	378117
14103Z/98	2.000	235	1	SK15	355.0	280	11.0	Reflector	Horizontal	5.000	2500	230	Splice	9245.34744916	871150049834225	-
2MT3(C)CL/HT/UBO	2.000	240	3	U	305.0	254	11.0	Clear	Universal	5.000	2500	146	Splice	9245.18545516	871150051772225	216481
13245X/98	2.000	400	2	X	512.0	416	11.0	Reflector	Horizontal	5.000	2500	-	-	9238.52957916	871150021470625	312520
13245X	2.000	400	2	X	512.0	416	11.0	Clear	Horizontal	5.000	2500	-	-	9238.53057916	871150049633125	-
13765X	2.000	400	2	X	512.0	410	11.0	Clear	Universal	5.000	2500	-	-	9238.53157916	871150021475125	312694
13765X/98	2.000	400	2	X	508.0	410	11.0	Reflector	Universal	5.000	2500	-	-	9245.05457916	871150005575025	368555
2500T3	2.500	480	3	U	731.0	638	11.0	Translucent	Horizontal	5.000	2500	146	Splice	9245.18351616	871150051770825	209981
2500T3/CL	2.500	480	3	U	731.0	638	11.0	Clear	Horizontal	5.000	2550	146	Splice	9245.26451616	871150051780725	238741
14107Z/98	3.000	230	1	SK15	787.0	696	11.0	Reflector	Horizontal	5.000	2400	500	Splice	9245.36344216	871150049852625	-
14107Z	3.000	230	1	SK15	787.0	700	11.0	Clear	Horizontal	5.000	2400	500	Splice	9245.57444216	-	-
13565X	3.000	235	2	X	370.0	277	13.5	Clear	Universal	5.000	2400	-	-	9239.45644506	871150050664125	-
13565V	3.000	235	7	V	350.0	277	13.5	Clear	Universal	5.000	2500	138	Ring	9245.14344506	871150050559025	138867
14121Z/98	3.000	235	1	SK15	355.0	280	11.0	Reflector	Horizontal	5.000	2650	230	Splice	9245.44944916	871150051919125	-
13230X	3.000	400	2	X	802.0	700	11.0	Clear	Universal	5.000	2500	-	-	9238.54057916	871150021748625	312447
13230X/98	3.000	400	2	X	802.0	700	11.0	Reflector	Universal	5.000	2500	-	-	9238.54157916	871150021749325	236489
3200T3/CL	3.200	240	3	U	1062.0	815	11.0	Clear	Horizontal	5.000	2450	146	Splice	9245.32645516	200833000168910	254359
14158/99	3.650	480	6	R7S/LEAD	1061.0	962	11.0	Clear	Horizontal	5.000	2500	146	Splice	9245.63151716	871150018675110	-
3800T3/CL/UB	3.800	575	3	U	1062.0	963	11.0	Clear	Horizontal	5.000	2500	146	Splice	9245.17351116	871150051761610	221291
3800T3	3.800	575	3	U	1062.0	963	11.0	Translucent	Universal	5.000	2500	146	Splice	9245.18451116	871150051771510	221283
13195X/98	1.000	235	2	X	370.0	272	11.0	Reflector	Horizontal	5.000	2450	-	-	9238.51443916	871150051942925	312165
13168Z	2.000	235	1	SK15	355	280	11.0	Clear	Universal	5.000	2500	200	Fork	9245.71744916	871150049660225	-
14180Z	2.000	235	1	SK15	355	280	11.0	Clear	Horizontal	5.000	2500	300	Faston	9245.75344916	871150050699325	-

Lamps specifications Philips infrared halogen lamps for various industrial applications

Type	Lamp Wattage (W)	Voltage (V)	Fig.	Cap/ Base	Total lamp length (mm) C	Heating length (mm) W	Diameter (mm) D	Finish	Burning position	Average lamp life (h)	Colour temp. (K)	Cable (mm) X	Cable connection	I2nc	EOC	US Product Number
14141X	2.000	400	2	X	5.000	2700	n.a.	-	Universal	5.000	2700	n.a.	-	9245.55249116	871150018549525	-
13561Z/98	1.200	144	1	SK15	228.0	150	11.0	Reflector	Horizontal	5.000	2500	150	Fork	9245.48257716	871150051488225	-
14132Z/98	2.000	235	1	SK15	787.5	700	11.0	Reflector	Horizontal	5.000	2450	500	Splice	9245.52644916	871150005802725	-
1600T3/CL	1.600	240	3	U	503.0	406	11.0	Clear	Horizontal	5.000	2500	146	Splice	9245.18143816	871150051768525	216788
13215X	3.000	400	2	X	798.0	700	12.0	Clear	Horizontal	5.000	2450	n.a.	-	9238.54257916	871150005466125	-
14176V	2.000	235	7	V	350.0	280	-	Clear	Universal	5.000	2450	100	Splice	9245.71444916	871150050487625	-
13168X/98	2.000	235	2	X	370.0	280	11	Reflector	Universal	5.000	2500	-	-	9245.742.44916	871150050489025	-

Lamp specifications Philips infrared halogen lamps with Ruby finish

Type	Lamp Wattage (W)	Voltage (V)	Fig.	Cap/ Base	Total lamp length (mm) C	Heating length (mm) W	Diameter (mm) D	Finish	Burning position	Average lamp life (h)	Cable (mm) X	Cable connection	I2nc	EOC
13833Z/876	850	120	8	SK15	198	119	20	Ruby	Horizontal	5.000	85	Tab	9245.22636324	871150049575425
13833Z/876	850	240	8	SK15	198	113	20	Ruby	Horizontal	5.000	85	Tab	9245.22645524	871150049576125
13836Z/876	1.000	240	8	SK15	531	440	20	Ruby	Universal	5.000	85	Tab	9245.23445524	871150049571625
13837Z/876	1.100	230	8	SK15	531</									