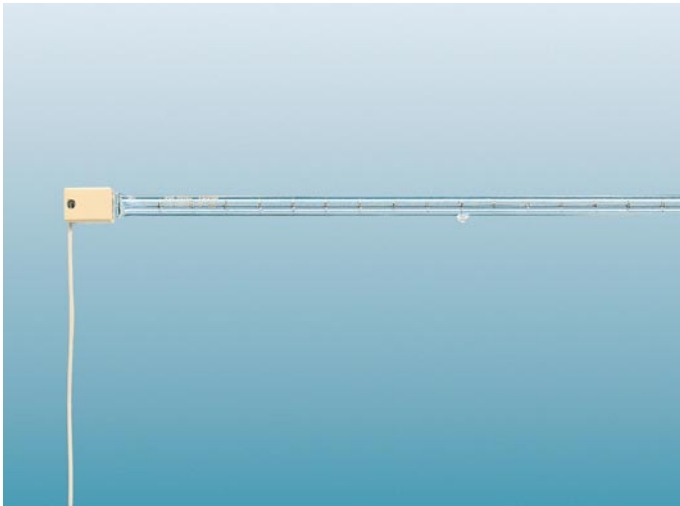


Special halogen lamps

Heat infrared: Industrial process



13940Z



500T3/7



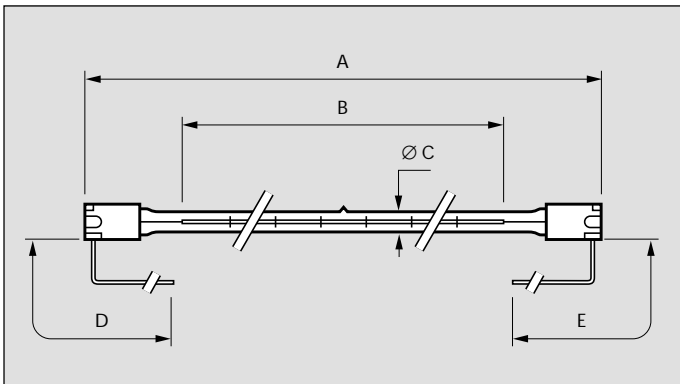
13713X/98

Tubular, double-ended quartz infrared lamps are high-powered heat sources incorporating a tungsten coil filament within a quartz envelope. The filament is supported by tungsten supports at regular intervals to prevent sagging. These lamps produce a constant level of infrared irradiation throughout the lamp lifetime. Their benefits for industrial purposes include high efficiency,

fast heat transfer, direct response to power control, compactness and light weight. Burning position: horizontal or universal (depending on the type).

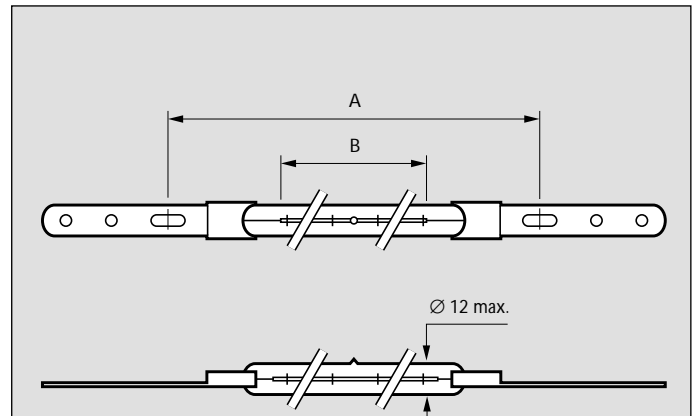
Applications

- Heating and sterilisation
- Drying of paper, lacquer, inks, etc.
- Softening/melting of plastics



Type	A max.	B	C max.	D	E
Cap/base U/SK11/SK15/Z					
2MT3/1CL/HT/UBO	303.0	254.0±5.0	11.0	146.0± 5.0	146.0± 5.0
500T3(/CL)	223.8	127.0±5.0	11.0	146.0± 5.0	146.0± 5.0
800T3	303.0	203.0±5.0	11.0	146.0± 5.0	146.0± 5.0
900T3/CL/16	405.0	229.0±5.0	11.0	146.0± 5.0	146.0± 5.0
1000T3(/CL)	350.8	254.0±5.0	11.0	146.0± 5.0	146.0± 5.0
1600T3(/CL)	503.0	406.0±5.0	11.0	146.0± 5.0	146.0± 5.0
2000T3/1CL/HT	303.0	254.0±5.0	11.0	146.0± 5.0	146.0± 5.0
2500T3	731.0	635.0±5.0	11.0	146.0± 5.0	146.0± 5.0
3800T3(/CL(/UB))	1062.0	965.0±5.0	11.0	146.0± 5.0	146.0± 5.0
13168Z/98, 13213Z/98F	357.5	280.0±5.0	11.0	200.0± 5.0	200.0± 5.0
13169Z/98	227.5	165.0±5.0	11.0	200.0± 5.0	200.0± 5.0
13195Z/98, 13713Z(/98)	357.5	272.0±5.0	11.0	200.0± 5.0	200.0± 5.0
13172Z	355.0	272.0±5.0	11.0	350.0± 5.0	350.0± 5.0
13295Z, 13393Z	787.5	700.0±5.0	11.0	200.0± 5.0	200.0± 5.0
13296C	500.0	444.0±5.0	9.0	183.0±10.0	513.0±10.0
13298C	500.0	442.0±3.0	9.0	183.0±10.0	513.0±10.0
13940Z	355.0	274.0±5.0	11.0	700.0± 5.0	700.0± 5.0

Dimensions in mm

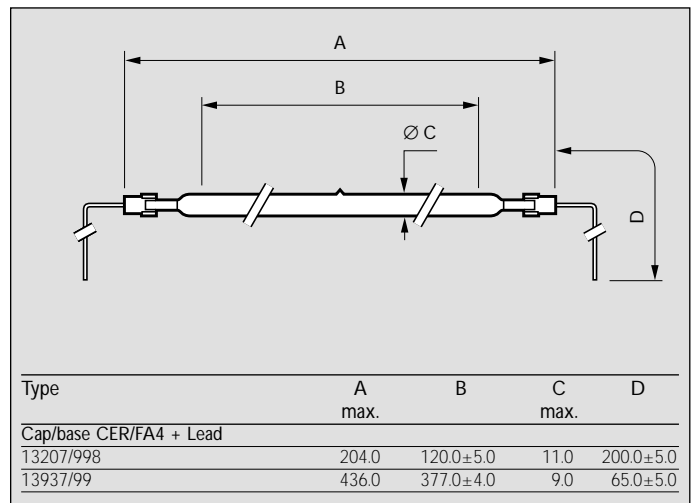
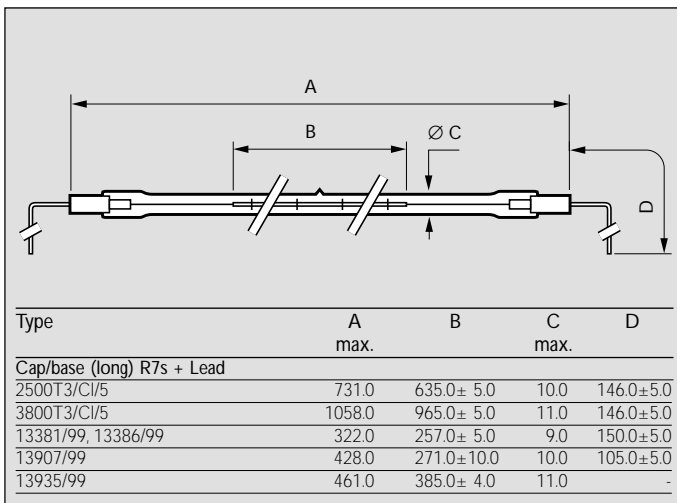
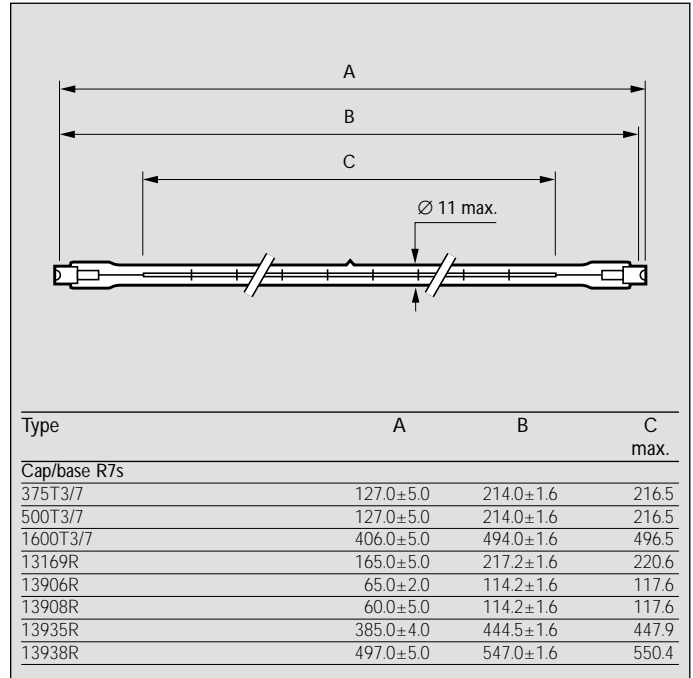
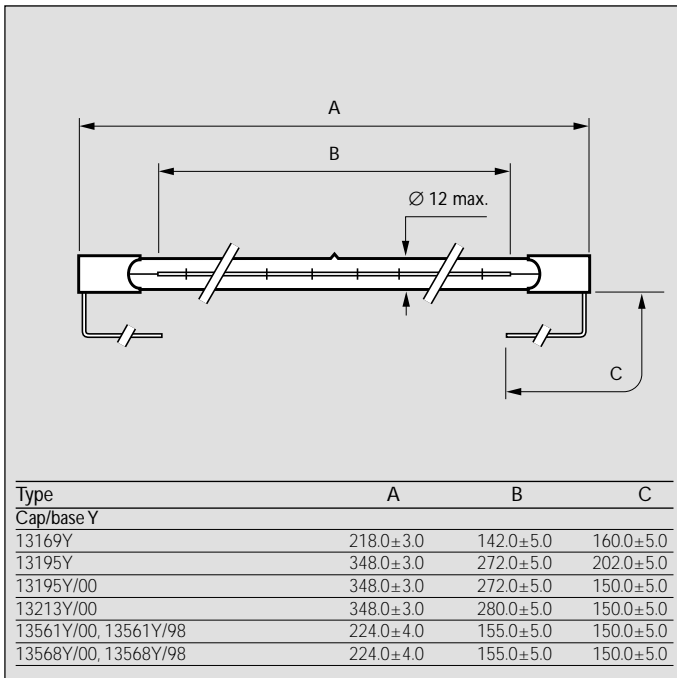


Type	A	B
Cap/base X		
13168X	370±10.0	282.0±5.0
13169X(/98)	241.0±10.0	142.0±7.0
13195X(/98)	370.0±10.0	272.0±5.0
13215X, 13230X(/98)	798.0±10.0	700.0±5.0
13245X(/98)	508.0±10.0	410.0±5.0
13246X	571.0±10.0	490.0±5.0
13565X	370.0±10.0	277.0±4.0
13713X(/98)	370.0±10.0	272.0±5.0
13765X(/98)	508.0±10.0	410.0±5.0

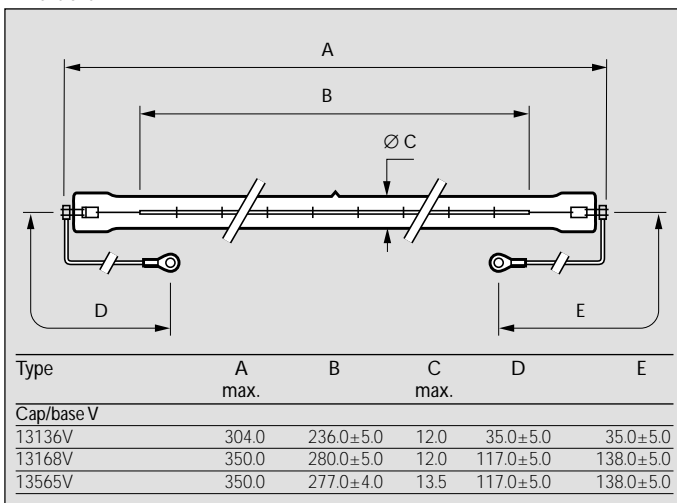


Special halogen lamps

Heat infrared: Industrial process



Dimensions in mm



Type	Cap/base	Correlated colour temperature K	Ordering number
2MT3/1CL/HT/UB0 240V 2000W	U	2500	9245 185 45500
375T3/7 115-125V 375W	R7S	2500	9245 205 34600
500T3 120V 500W	U	2500	9245 176 36300
500T3/7 115-125V 500W	R7S	2500	9245 177 34600
800T3 115-125V 800W	U	2500	9245 189 34600
1000T3 230-250V 1000W	U	2500	9245 178 43800
1000T3/CL 230-250V 1000W	U	2500	9245 179 43800
1600T3 208V 1600W	U	2500	9245 180 41400
1600T3/CL 230-250V 1600W	U	2500	9245 181 43800
1600T3 240V 1600W	U	2500	9245 182 45500
1600T3/7 230-250V 1600W	R7S	2500	9245 190 43800
2000T3/1CL/HT 240V 2000W	U	2500	9245 174 45500
2500T3 460-500V 2500W	U	2500	9245 183 51600
2500T3/CL/5 460-500V 2500W	R7S+LEAD	2500	9245 188 51600
3800T3/CL/UB 550-600V 3800W	U	2500	9245 173 51100
3800T3 550-600V 3800W	U	2500	9245 184 51100
3800T3/CL/5 570V 3800W	R7S+LEAD	2500	9245 187 51000
3800T3/CL 570V 3800W	U	2500	9245 206 51000
13136V 400V 4600W	V	3000	9238 508 49100
13168V 220-250V 2000W	V	2450	9238 504 44500
13168X 220-250V 2000W	X	2450	9238 525 43900
13168Z/98 220-250V 2000W	Z	2450	9238 536 44500
13169X 110-130V 500W	X	2450	9238 500 32300
13169Y 110-130V 500W	Y	2450	9238 501 32300
13169X/98 110-130V 500W	X	2450	9238 502 32300
13169Z/98 220-250V 500W	Z	2450	9238 527 44500
13169R 220-250V 500W	R7S	2450	9239 468 44500
13172Z 220-240V 1200W	SK15	2400	9245 050 43300
13195X 220-250V 1000W	X	2450	9238 510 43900
13195Y 220-250V 1000W	Y	2450	9238 511 43900
13195X/98 220-250V 1000W	X	2450	9238 514 43900
13195Z/98 220-250V 1000W	Z	2450	9238 543 44500
13195Y/00 220-250V 1000W	Y	2450	9239 072 44500
13207/998 110V 1000W	FA4+LEAD	2300	9239 452 31900
13213Y/00 220-250V 2000W	Y	2450	9239 073 44500
13213Z/98F 220-250V 2000W	Z	2450	9245 003 44500
13215X 380-420V 3000W	X	2450	9238 542 57900
13230X 380-420V 3000W	X	2450	9238 540 57900
13230X/98 380-420V 3000W	X	2450	9238 541 57900
13245X/98 380-420V 2000W	X	2450	9238 529 57900
13245X 380-420V 2000W	X	2450	9238 530 57900
13246X 380-420V 2500W	X	2400	9245 150 57900
13295Z 220-250V 1300W	Z	2000	9239 453 44500
13296C 110V 400W	SK11	1650	9239 470 31900
13298C 110V 630W	SK11	1800	9245 012 31900
13381/99 220V 1350W	LONG R7S	2700	9238 608 42900
13386/99 220V 1700W	LONG R7S	2800	9238 521 42900
13393Z 220-250V 1300W	Z	2000	9239 454 44500
13561Y/00 144V 1200W	Y	2400	9239 207 57700
13561Y/98 144V 1200W	Y	2400	9245 033 57700
13565X 220-250V 3000W	X	2400	9239 456 44500
13565V 220-250V 3000W	V	2400	9245 143 44500
13568Y/00 144V 1600W	Y	2500	9239 457 57700
13568Y/98 144V 1600W	Y	2500	9245 032 57700
13713X 220-250V 1000W	X	2450	9238 515 43900
13713Z/98 220-250V 1000W	Z	2450	9238 535 44500
13713Z 220-250V 1000W	Z	2450	9238 952 44500
13713X/98 220-250V 1000W	X	2450	9238 960 44500
13765X 380-420V 2000W	X	2450	9238 531 57900
13765X/98 380-420V 2000W	X	2450	9245 054 57900
13906R 120V 600W	R7S	3200	9238 900 36300
13907/99 220-250V 1000W	LONG R7S	2400	9238 845 44500
13908R 220-240V 300W	R7S	2500	9238 503 43300
13935R 230V 1530W	R7S	2400	9239 472 44200
13935/99 230V 1530W	LONG R7S	2400	9245 296 42900
13937/99 220V 750W	CER+LEAD	2200	9239 489 42900
13938R 230V 2000W	R7S	2450	9245 085 44200
13940Z 220-250V 1500W	SK15	2950	9245 074 43900

